

## 2000 2

10

- (1) 가  $\pm 0.05\%$  of Full Scale , 가  $0 \sim 100^\circ\text{C}$   
 , ADC 가  $0 \sim 5\text{V}$  ,  $0\text{V}$   $0^\circ\text{C}$  ,  
 $5\text{V}$   $100^\circ\text{C}$  . ADC bit ,  
가? ,  
가 . ,  
가 .
- (2) 가  $10 \sim 1000\text{Hz}$  .  
 . 40dB
- (3) “ -> -> ” ,
- (4) 가 . 3 ,  
가 .
- (5) - 가  
 , motion artifact 가
- (6) 12-lead ,

가

(7)

(8)

3 가

(9)

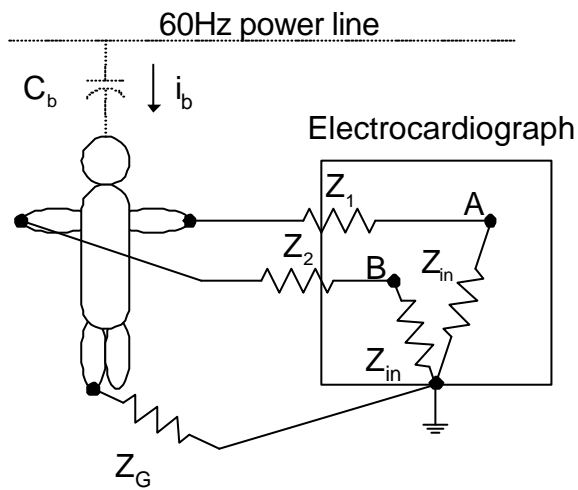
$$i_b = 0.4\mu\text{A}, Z_G = 200\text{k}\Omega, Z_{in} = 5\text{M}\Omega, Z_1 = 100\text{k}\Omega, Z_2 = 130\text{k}\Omega$$

differential mode gain 1000

60Hz

$$V_{dm} = v_A - v_B$$

60Hz



(10)

EMG

op amp

dc offset

$\pm 10\text{mV}$

dc offset

$\pm 10\text{mV}$

가

$\pm 500\mu\text{V}$ ,

$\pm 12\text{V}$ ,

10000,

10 ~ 1000Hz,

dc offset

$\pm 300\text{mV}$ , op amp

$\pm 10\text{V}$ , op amp

10MHz